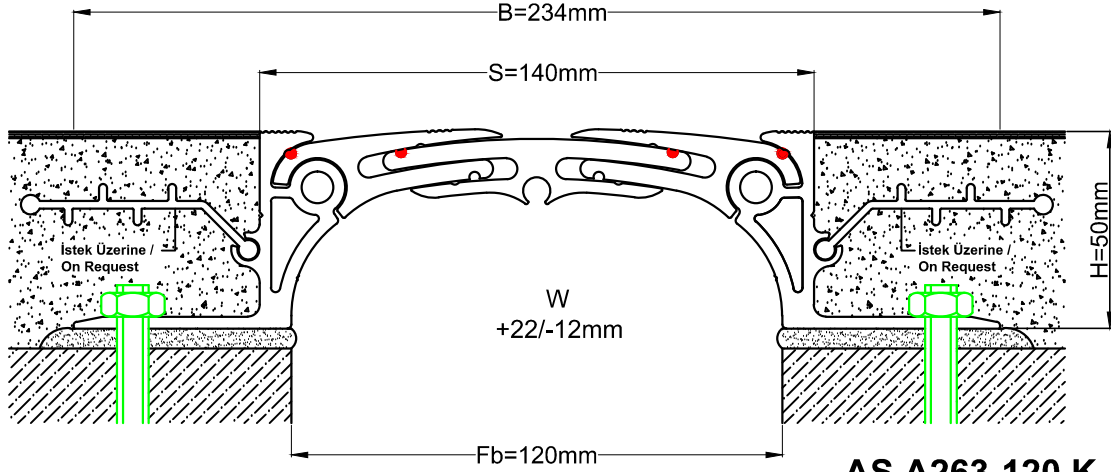
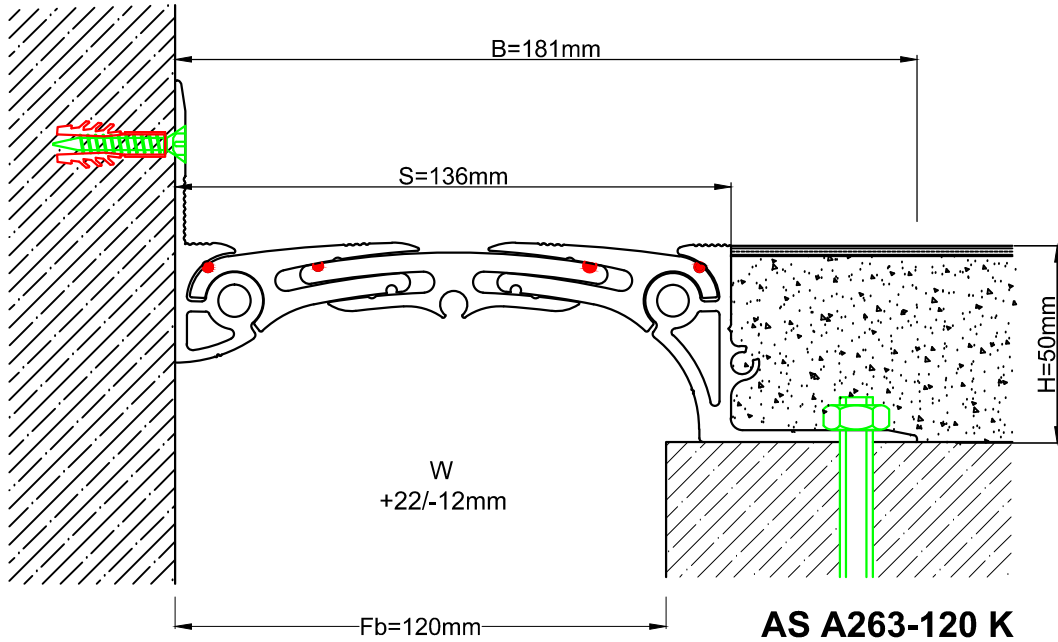


Patent No : TR 2010 06287B


Petentli Profildir / Patented Profile



AS A263-120 K
H=50m



AS A263-120 K
H=50m

Profil No Profile Number	AS A263-120	AS A263-120 K
Fb (mm)	120	120
H (mm) yaklaşık approx.	50	50
W± (mm) yaklaşık approx.	+22/-12mm	+22/-12mm
Renk Color	Alüminyum: Natürel Aluminum: Natural	
Malzeme Material	Alüminyum Aluminum	
Standart Uzunluk (m) Standard Length (m)	3	
Yükleme Kapasitesi Load - Bearing Capacity	35 kN 	300 kN 