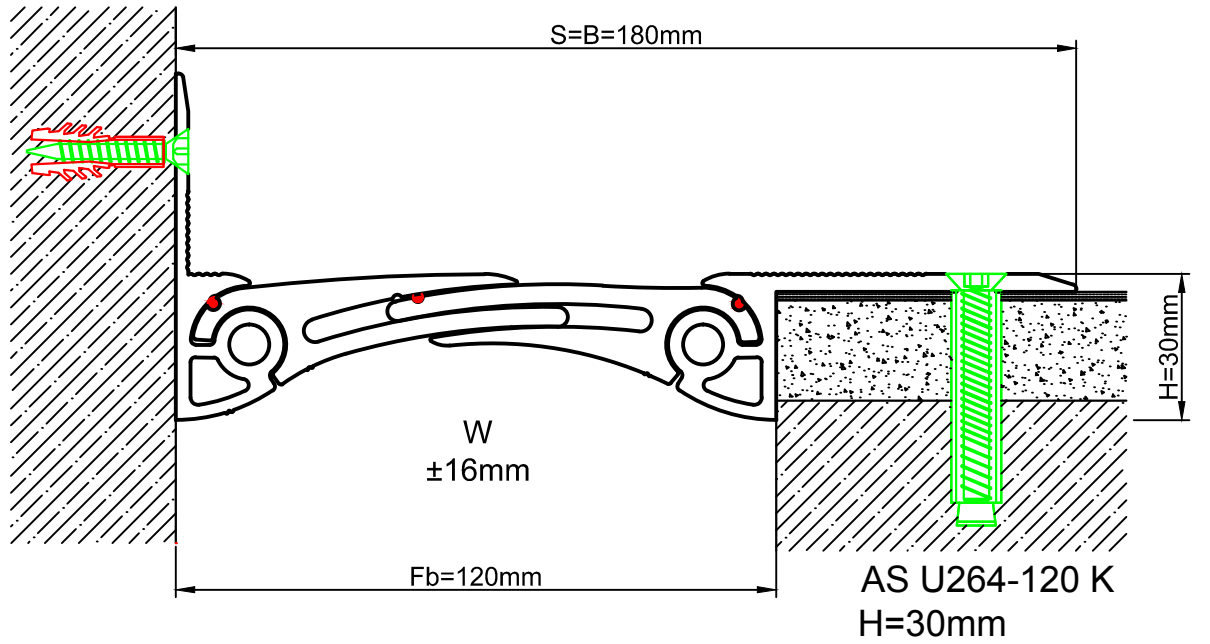
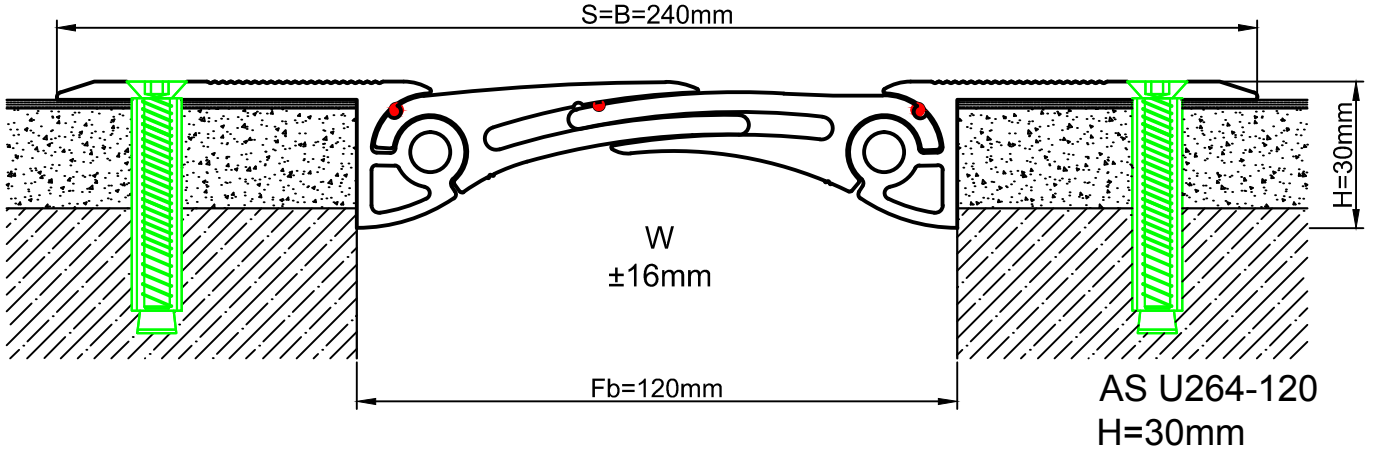



Patent No : TR 2010 06287B
Patentli Profildir / Patented Profile



Profil No Profile Number	AS U264-120	AS U264-120 K
Fb (mm)	120	120
H (mm) yaklaşık approx.	30	30
W± (mm) yaklaşık approx.	±16	±16
Renk Color	Alüminyum: Natürel Aluminum: Natural	
Malzeme Material	Alüminyum Aluminum	
Standart Uzunluk (m) Standard Length (m)	3	
Yükleme Kapasitesi Load - Bearing Capacity	35 kN 	300kN 