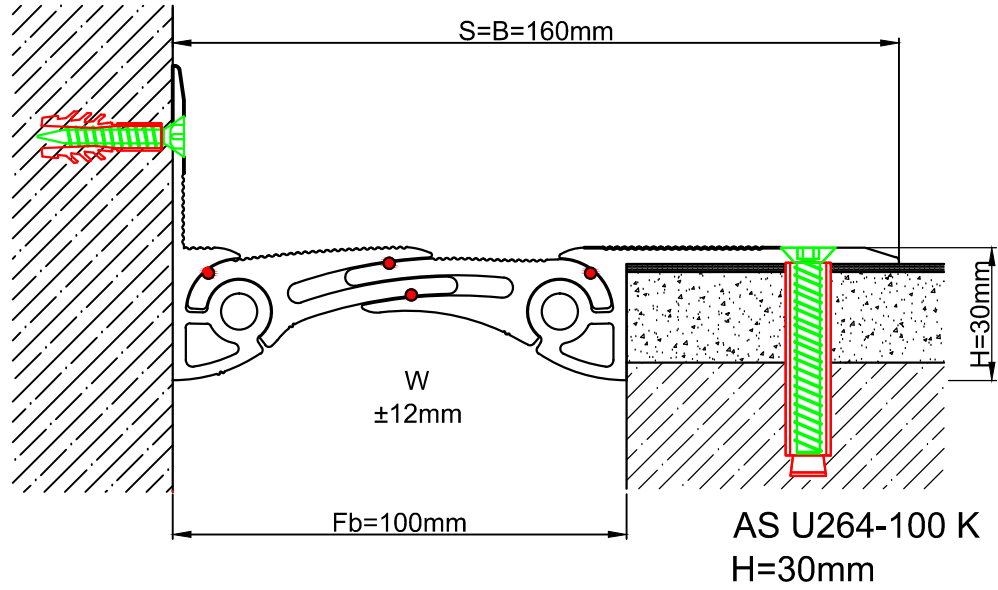
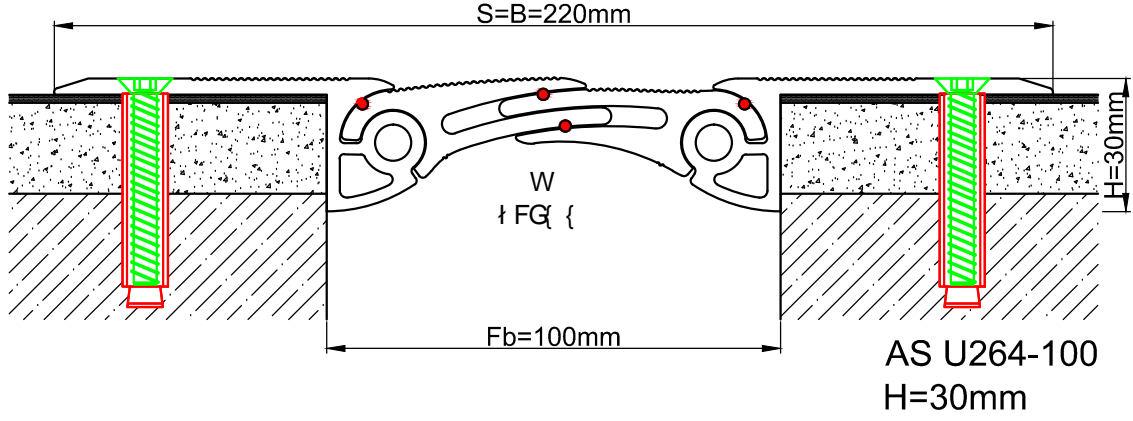



Patent No : TR 2010 06287B  
Patentli Profildir / Patented Profile



Profil No Profile Number	AS U264-100	AS U264-100 K
Fb (mm)	100	100
H (mm)	yaklaşık approx.	30
W± (mm)	yaklaşık approx.	±12mm
Renk Color	Alüminyum: Natürel Aluminum: Natural	
Malzeme Material	Alüminyum Aluminum	
Standart Uzunluk (m) Standard Length (m)	3	
Yükleme Kapasitesi Load - Bearing Capacity	70 kN 	600kN 